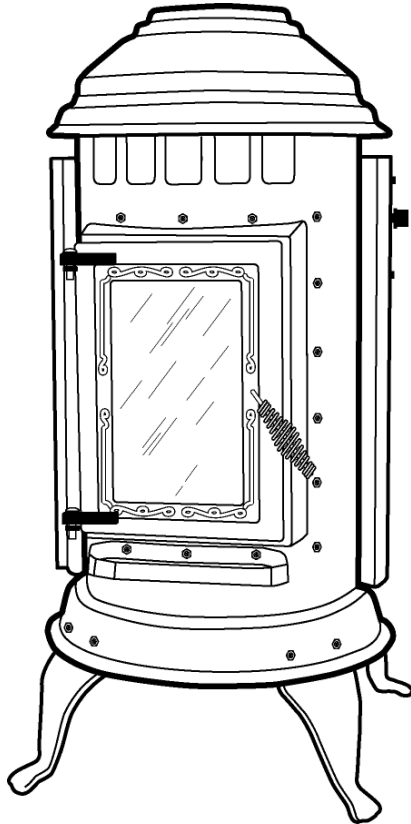
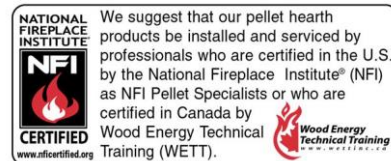

PARLOUR PELLETT 3000

Pellet Heater Owner's Manual
Installation and Operating Instructions



Made in the USA by:



**Please read this entire manual before Installation.
Save these instructions.**

SAFETY NOTICE

- HEATER MUST BE PROPERLY INSTALLED AND MAINTAINED OR A HOUSE FIRE MAY RESULT.
- FOR YOUR SAFETY, FOLLOW THE INSTALLATION INSTRUCTIONS.
- CONTACT LOCAL BUILDING OFFICIALS ABOUT RESTRICTIONS AND INSTALLATION INSPECTION AND PERMIT REQUIREMENTS.
- FAILURE TO COMPLY WITH OWNER'S MANUAL INSTRUCTIONS WILL VOID WARRANTY AND COULD RESULT IN PROPERTY DAMAGE, BODILY INJURY OR EVEN DEATH.

PLEASE LEAVE THIS MANUAL WITH THE OWNER!!

INDEX OF CONTENTS

- Appendix A, 22
- Appendix B, 23
- Appendix C, 25
- Appendix D, 26
- Appendix E, 27
- Battery
 - installation, 13
 - operation, 13
- Battery Light, 13
- Chimney Installation Criteria, 26
- Chrome
 - polishing, 15
- Circuit Board Diagram, 19
- Clean Out Tee, 8
- Cleaning
 - exhaust fan blade, 15
 - fan guard, 15
 - fly ash removal, 14
 - glass, 15
 - gold-plated parts, 15
 - heat exchanger, 15
 - hopper, 15
- Clearances, 6
 - mobile home, 6
 - modular home, 6
 - to combustibles, 6, 7
- Control Functions, 12
- Dimensions
 - overall diagram, 5
- Distance to Openings, 8
- Electrical Schematic, 20
- Exhaust Fan Blade, 15
- Exhaust Pipe Location Diagram, 6
- Fan Guard, 15
- Fine Tuning, 25
- Firepot Assembly, 23
- Floor Protection, 7
- Fly Ash Removal, 14
- Gold
 - polishing, 15
- Heat Exchanger, 15
- High Temp/Flue Indicator Light, 13
- Hopper
 - clean out, 15
 - filling, 11
- Installation, 7
 - battery, 13
 - clean out tee, 8
 - distance to openings, 8
 - floor protection, 7
 - pipe configuration, 7
 - pipe connections, 9
 - venting requirements, 8
 - wall & remote thermostat, 9
- Introduction and Safety Information, 5
- Laboratory Listing Label, 4
- Lighting Instructions, 11
- Maintenance Procedures, 14
 - exhaust fan blade, 15
 - fan guard, 15
 - glass cleaning, 15
 - heat exchanger, 15
 - hopper clean out, 15
 - polishing gold and chrome, 15
- Outside Air Kit, 5, 6
- Pellets, 11
- Pipe Configuration, 7
- Pipe Connections, 9
- Replacement of Igniter, 27
- Replacement Parts List, 18
- Routine Maintenance, 21
- Start-Up and Operation, 11
 - control functions, 12
 - control knob, 12
 - filling the hopper, 11
 - lighting instructions, 11
- Stove Clean Out, 21
- Trim Button, 13
- Troubleshooting, 16
- Venting Requirements, 8
- Wall & Remote Thermostat Installation, 9
- Warranty Information, 30
- Wind Warning, 22
- Wiring Diagram, 20

FIGURES

Figure 1 - Overall Dimensions.....	7
Figure 2.....	8
Figure 3 - Exhaust Pipe Location (Rear View).....	8
Figure 4.....	9
Figure 5.....	9
Figure 6.....	10
Figure 7.....	10
Figure 8.....	11
Figure 9.....	12
Figure 10.....	13
Figure 11.....	13
Figure 12.....	14
Figure 13.....	16
Figure 14 – Replacement Parts List.....	20
Figure 15 - Circuit Board Diagram.....	21
Figure 16 - Electrical Schematic/Wiring Diagram.....	22
Figure 17 – Routine Stove Clean Out and Maintenance.....	23

 F22-769 F22-768	MODEL No. No. DE MODELE	MAX. BTU INPUT CONSOM. MAX. EN BTU	DATE OF MFG. / DATE DE FABRICATION	 www.thelinco.com Carson City, NV 89706
	Parlour 3000	40,000	[]	
	Gnome	27,000	SERIAL NUMBER / NO. DE SÉRIE []	

Listed Room Heater, Pellet Type.

This pellet fire appliance has been tested and listed for use in manufactured homes in accordance with Oregon Administrative Rules 814-23-900 through 814-23-909 ASTM 1509-04, ULC S627-00, UL 1482-00.

Install and use only in accordance with manufacturer's installation and operating instructions. Contact local building officials about restrictions and installation inspection in your area. Allow approved.

CAUTION: Special methods are required when passing chimney through a wall or ceiling. Refer to local building codes. Do not connect this unit to a chimney flue serving another appliance.

For use with pelletized wood fuels only! Use of other fuels will cause a hazardous condition.

NOTE: Replace glass only with 5mm ceramic.

WARNING: (Mobile Home) An outside air inlet must be provided for combustion and be unrestricted while unit is in use. The structural integrity of the mobile home floor, walls, ceiling, and roof must be maintained.

DANGER: Risk of electrical shock. Disconnect power before servicing unit. Do not run power cord under appliance.

VENT TYPE: Use only type "PL" pellet vent and connectors (Size 3"/75mm or 4"/100mm).

ELECTRICAL RATING: 120 Volts/2.0 Amps/60Hz/1 Phase - U.K. 24V

Install per H.U.D. 24CFR SEC. 3280.

Appareil de chauffages certifié, de type granulés de bois.

Cet appareil à granulés de bois a été testé et certifié pour être utilisé dans des maisons préfabriquées conformément aux règlements <<Oregon Administrative Rules>> 814-23-900 à 814-23-909, ASTM 1509-04, ULC S627-00, UL 1482-00.

À installer et utiliser uniquement conformément aux consignes d'installation et d'utilisation du fabricant. Contacter les autorités locales en matière de construction concernant les restrictions et les inspections de montage propres à votre région. Approuvé pour une aéovée.

ATTENTION: Des techniques spéciales sont nécessaires en cas de passage de la cheminée à travers un mur ou un plafond. Consulter les codes locaux du bâtiment. Ne pas reconnector cet appareil à un conduit de cheminée servant un autre appareil.

À utiliser uniquement avec des bois de chauffage en granulés! Tout autre combustible causera un danger.

REMARQUE: Remplacer la vitre avec un verre en céramique de 5mm uniquement.

AVERTISSEMENT: (Maison mobile) Une arrivée d'air extérieur pour la combustion doit être installée et dégagée lorsque l'appareil est en marche. L'intégrité structurelle du plancher, des murs, du plafond et du toit de la maison mobile doit être maintenue.

DANGER: Risque de choc électrique. Débrancher l'appareil avant tout entretien ou réparation. Ne pas acheminer le cordon d'alimentation sous l'appareil.

TYPE D'ÉVENT: Utiliser seulement un conduit d'évacuation et des raccords de type «PL» (Taille 3" / 75mm ou 4" / 100mm).

CARACTÉRISTIQUES ÉLECTRIQUES: 120 Volts/2.0 Amps/60Hz/1 Phase - G.B. 24V

Installer conformément à H.U.D. 24CFR SEC. 3280.

Emission of CO in combustion products: nominal heat output <0.04% Reduce heat output <0.06%	 05 EN 14785:2007 Residential Space Heating appliance fired by wood pellets Appareil de chauffage domestique alimenté en granulés de bois	Émission de CO dans les produits de combustion: Puissance calorifique nominale <0.04% Puissance calorifique réduite <0.06%
Fuel Gas Temperature: 174 Deg. C Thermal Output: 6.9 kW Energy Efficiency: Nominal heat output 6.9kW 85% Reduced heat output 3.7kW 80% Fuel Types: Wood Pellets, 6mm diameter, 12mm to 25mm long		Temperature du gaz de cheminée: 174 Deg. C Puissance Thermique: 6.9 kW Rendement Énergétique: Puissance calorifique nominale 6.9kW 85% Puissance calorifique réduite 3.7kW 80% Types de Combustible: Granulés de bois, 6mm de diamètre, 12mm à 25mm de long

CLEARANCES TO COMBUSTIBLES - FREESTANDING HEATER / DÉGAGEMENT AUX COMBUSTIBLES - APPAREIL DE CHAUFFAGE AUTONOME

A. UNIT TO BACKWALL 1.5" / 40mm B. UNIT TO SIDEWALLS 5" / 125mm C. UNIT TO DIAGONAL WALL 5" / 125mm UNIT TO ALCOVE CEILING 1" / 25mm		A. APPAREIL AU MUR ARRIÈRE 1.5" / 40mm B. APPAREIL AUX MURS LATÉRAUX 5" / 125mm C. APPAREIL AU MUR EN DIAGONALE 5" / 125mm APPAREIL AU PLAFOND DE L'ALCÔVE 1" / 25mm
---	---	---

INSTALL ON A NON-COMBUSTIBLE FLOOR PROTECTOR EXTENDING 6" IN FRONT OF THE APPLIANCE.

PLACER SUR UN PROTECTEUR DE PLANCHER NON-COMBUSTIBLE, QUI DÉPASSE DE 6 PO À L'AVANT DE L'APPAREIL.

U.S. ENVIRONMENTAL PROTECTION AGENCY Certified to comply with EPA NSPS 2020 emission standards. FOR USE WITH PELLETTIZED WOOD FUEL ONLY	DATE OF MANUFACTURE [] MODEL Parlour 3000 Gnome	EMISSION RATE (G/hr) 0.92 0.93	SERIAL NO. [] Efficiency HHV 81% 75% ASTM E2779-10/WEPA-ALT-146
--	--	--------------------------------------	---

This appliance needs periodic inspection and repair for proper operation. Consult owner's manual for further information. It is against federal regulations to operate this appliance in a manner inconsistent with operating instructions in the owner's manual.

P/N: 00 007 5 0206H1

LABORATORY LISTING LABEL

Congratulations on your purchase of Thelin™ Hearth Products Parlour™ 3000 pellet stove! In this manual you will find information on stove specifications, installation instructions, operating guide, how to perform scheduled maintenance, a troubleshooting guide, a detailed parts list and associated diagrams. Also included is your warranty information. Please take the time to read this manual and become familiar with your pellet stove.

If you have any questions or comments, please contact your local Thelin authorized dealer. Thelin dealers are qualified industry professionals who are able to address any questions or comments you might have regarding Thelin products. Thank you for choosing Thelin™.

Safety Information

FIRE RISK

Do not operate appliance before reading and understanding operating instructions. Failure to operate appliance properly may result in a house fire.

Inspect appliance and components for damage. Damaged parts may impair safe operation. DO NOT install damaged components.

DO NOT install incomplete components. DO NOT install substitute components. Report damaged parts to dealer.

DO NOT connect this unit into a chimney flue servicing another appliance. DO NOT connect to any air distribution or duct system.

THIS APPLIANCE NEEDS PERIODIC INSPECTION AND REPAIR FOR PROPER OPERATION. CONSULT OWNER'S MANUAL FOR FURTHER INFORMATION. IT IS AGAINST FEDERAL REGULATIONS TO OPERATE THIS APPLIANCE IN A MANNER INCONSISTENT WITH OPERATING INSTRUCTIONS IN THE OWNER'S MANUAL. PROPER OPERATION WILL MINIMIZE VISIBLE EMISSIONS. IF VISIBLE EMISSIONS ARE PRESENT DURING OPERATION HAVE THE APPLIANCE CLEANED AND INSPECTED.

WARNING

THELIN HEARTH PRODUCTS DISCLAIMS ANY RESPONSIBILITY FOR, AND THE WARRANTY WILL BE VOIDED BY THE FOLLOWING ACTIONS:

- MODIFICATION OF APPLIANCE
 - INSTALLATION OTHER THAN AS INSTRUCTED IN THIS MANUAL BY THELIN HEARTH PRODUCTS.
 - INSTALLATION AND/OR USE OF ANY COMPONENT PART NOT APPROVED BY THELIN HEARTH PRODUCTS.
 - OPERATING APPLIANCE WITHOUT FULLY ASSEMBLING ALL COMPONENTS CORRECTLY
-

DO NOT overfire. If any external part starts to glow, you are over firing. Reduce feed rate. Overfiring or any such action that may cause a fire hazard including failure to perform regular maintenance as outlined in these instructions will void warranty.

DO NOT store or use gasoline or other flammable vapors and liquids in the vicinity of this or any other appliance.

CAUTION

TESTED AND APPROVED FOR PFI APPROVED PREMIUM WOOD PELLETS OF HIGHEST BTU OUTPUT AND LOWEST % OF ASH CONTENT ONLY. BURNING ANY OTHER TYPE OF FUEL WILL VOID YOUR WARRANTY.

Fire Safety

Maintain the designated clearances to combustibles as diagramed in this manual. Insulation must not touch the chimney or venting system. You must maintain the designated airspace clearance around the chimney. This space around the chimney is necessary to allow heat to flow away from the chimney area. Insulation in this area will cause heat buildup, which could ignite wood framing.

The following should be considered when installing any solid fuel appliance:

1. Install at least one smoke detector on each floor of your home to ensure safety. They should be located away from the heating appliance and near the sleeping area.
2. Conveniently locate a Class A fire extinguisher near the appliance.
3. Write down and practice an evacuation plan with two escape routes.

Check with your local building code department before you begin your installation. Obtain a building permit in order to meet local building code requirements.

Contact your local dealer if assistance is required before, during and after installation.

Before Start-Up Check List

1. All Safety Warnings have been read and followed.
2. The Owner's Manual has been read.
3. Floor protection requirements have been adhered to.
4. All venting has been properly installed.
5. The proper clearances from the stove and chimney to combustible materials have been followed.
6. The masonry chimney has been inspected by a professional and is clean, or the factory built (metal) fireplace is installed according to the manufacturer's instructions.
7. A grounded power outlet with a surge protector is available nearby without having to use an extension cord.

GENERAL INFORMATION

Installation and repair should be done by a qualified service person. The heater should be inspected before use and at least annually by a professional service person. More frequent cleaning may be required due to fuel quality, excessive lint from carpeting, bedding material, etc. It is imperative that control compartments, burners, and circulating air passageways of the heater be kept clean.

The Parlour Pellet 3000 Heater has been designed and approved for burning **wood pellet fuel only**. Burning solid fuel in other forms is not permitted and will void all warranties.

Store fuel in a covered, dry area. Pellet fuel bags can absorb moisture and must be kept dry. Never place fuel bags next to heater. Keep fuel outside of stove clearances to combustible materials.

This unit has been approved for use with a **3" and 4" Type L Pellet Vent System**. On runs in excess of 10' and installations per Figure 10, the 4" pipe must be used.

NEVER use gasoline, gasoline-type lantern fuels, kerosene, charcoal lighter fluid, or similar liquids to

start or "freshen up" a fire. Keep all such liquids well away from the heater while it is in use.

Ashes must be disposed of in a metal container with a tight-fitting lid and placed on a non-combustible floor or ground, well away from all fuels, pending final disposal.

NOTE: During the first few burns the high-temperature paint and sealant used in manufacture will emit some odor and smoke. Open doors and windows to the outside for proper ventilation during the first burn cycle and curing of the paint.

This heater, when installed, must be electrically grounded according to local codes or, in the absence of local codes, with the **National Electrical Code, ANSI/NFPA 70-2020**.

Provide adequate clearances around air openings into the combustion chamber and adequate accessibility clearance for servicing and proper operation. Never obstruct the front opening of the heater.

The heater may be installed as a free-standing unit mounted on a non-combustible protective floor pad or hearth. Or it may be mounted into an existing UL-approved wood stove chimney. Non-combustible floor protection is required and must be used when placing the heater on any combustible material.

All outside air hook-ups for mobile or modular homes require Thelin Hearth Products' outside air kit — **NO EXCEPTIONS!**

CAUTION: Do not connect this unit to a chimney flue serving another appliance.

WARNING: Do not install a flue damper in the exhaust venting system of this unit.

Under EPA Emission test conditions as calculated per CSA B415.1-22 this heater has shown to deliver heat output at rates ranging from 14,387 to 28,172 Btu/hr.

U.S. ENVIRONMENTAL PROTECTION AGENCY Certified to comply with 2020 particulate emission standards using PFI APPROVED wood pellet fuel.

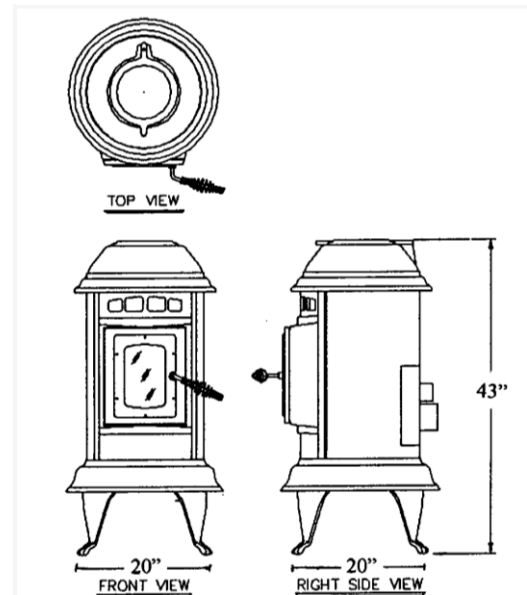


FIGURE 1 - OVERALL DIMENSIONS

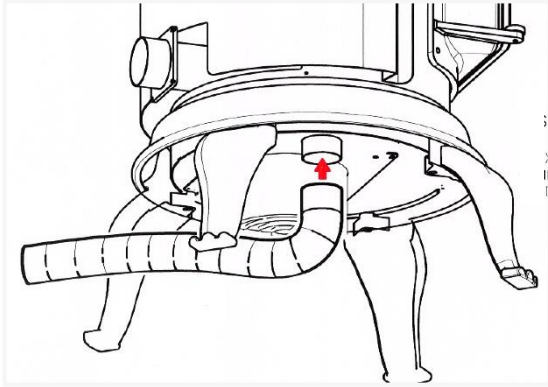


FIGURE 2

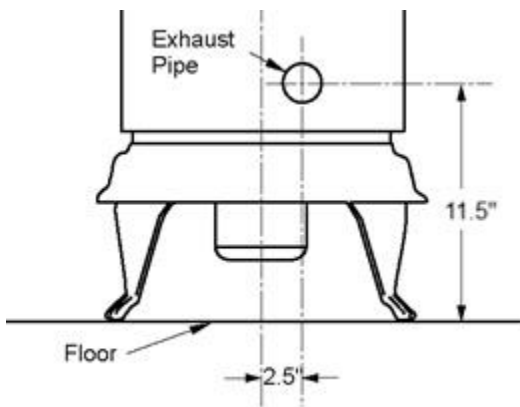


FIGURE 3 - EXHAUST PIPE LOCATION (REAR VIEW)

CLEARANCES

CHECK WITH LOCAL BUILDING OFFICIALS FOR SPECIFIC CODE REQUIREMENTS. A LISTED, TYPE "L" PELLET VENT PIPE IS MANDATORY ON ALL INSTALLATIONS.

Clearance to Combustibles

- Unit to Sidewall5" (125 mm)
- Unit to Backwall 1.5" (40 mm)
- Unit to Diagonal Wall5" (125 mm)
- Unit to Alcove Ceiling 1" (25 mm)

MOBILE OR MODULAR HOME

Mobile or modular home installation must be in accordance with the Manufactured Home Safety Standard (HUD) CFR3280, Part 24.

WARNING: DO NOT INSTALL IN SLEEPING ROOM.

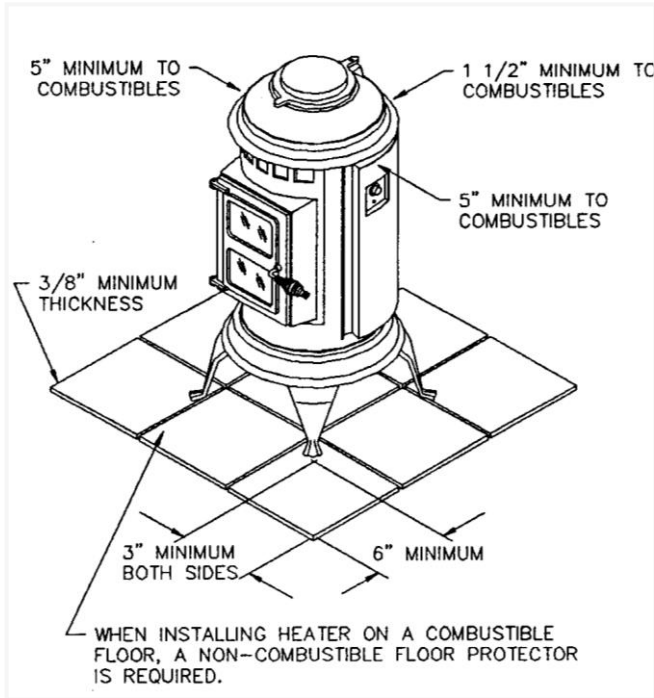
CAUTION: THE STRUCTURAL INTEGRITY OF THE MOBILE HOME FLOOR, WALL AND CEILING/ROOF MUST BE MAINTAINED.

WARNING: Outside combustion air is mandatory in mobile or modular installations. An outside air inlet **MUST** be provided for combustion and ventilation air. The air inlet must remain unrestricted while unit is in use. Outside air connection is located at the bottom, near the front of the heater (see Figure 2). The Outside Air Bypass Kit is mandatory for mobile and modular home installations. The kit contains 2" flex tubing and a box adapter. **Do not hook up unit without this kit.** Secure stove to floor by drilling hole through back two legs and using lag screw to attach to floor. Putty hole after screws are in place. Unit must be electrically grounded to steel frame of mobile home.

Also, the structural integrity of the mobile home floor, walls, and ceiling/roof must be maintained.

Use only listed Type "L" pellet vent components for installation. Failure to use listed pellet vent pipe will void your warranty. See pipe manufacturer instructions for installation instructions.

CAUTION: HOT WHILE IN OPERATION. KEEP CHILDREN, CLOTHING, AND FURNITURE AWAY. CONTACT MAY CAUSE SKIN BURNS.



4FIGURE 5

INSTALLATION

Attachment and securing of the exhaust venting system to the product and to each adjoining sections: All joints for the connector pipe should be fastened with three screws. If vented horizontally, joints should be made gas tight (see Item 9b).

Install vent at clearances specified by the vent manufacturer.

1. When deciding on the location of your heater and vent pipe, try to minimize the alteration and reframing of structural components of the building. Vent pipe must be installed so that access is provided for inspection and cleaning.
2. Avoid installing heater in high-traffic areas. Keep children away from heater when in operation.
3. Outside air required (see Figure 10).
4. **A 3-inch clearance to combustibles must be maintained for horizontal and vertical venting.** When passing through ceilings or walls, you must use a listed wall thimble, making sure all combustible materials and insulation products are a minimum of 3 inches away from the pellet vent pipe. If using the Pellet Pro pipe, a 1" clearance is required.
5. A non-combustible hearth pad must be used if installed on a carpet, wood floor, or other combustible material (see Figure 5).
6. Keep front door of appliance thirty-six (36) inches from combustibles (drapery, furniture).

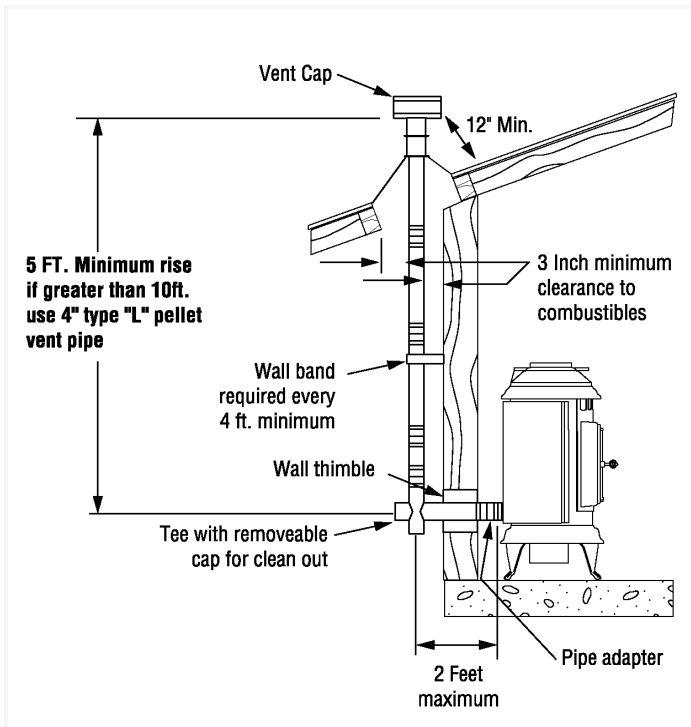


FIGURE 6

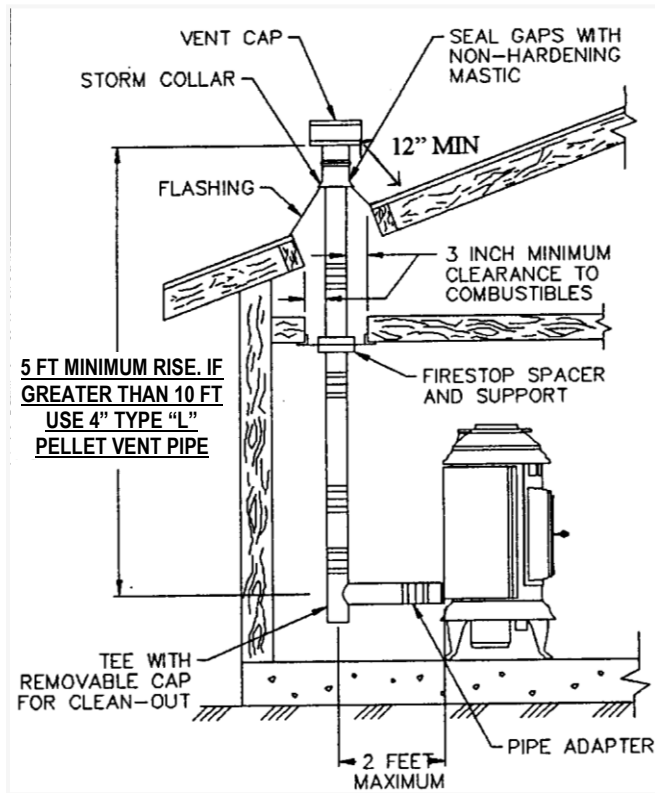


FIGURE 7

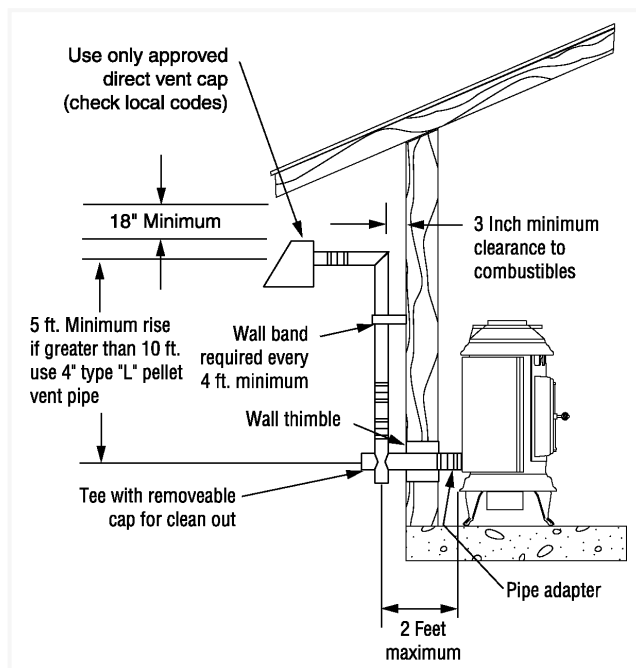


FIGURE 8

When installing the exhaust vent into an existing chimney (see Appendix D), a clean out tee must be installed behind the heater before going up into the chimney. This is necessary in order to remove the fly ash accumulation.

7. Exit termination (distance to openings):
 - a. 3 feet minimum above any forced air inlet located within 10 feet.
 - b. 4 feet minimum below and horizontally or 1 foot minimum above any door, window, or gravity air inlet into any building.
 - c. 2 feet minimum to an adjacent building and 7 feet minimum above grade when located adjacent to public walkways.
8. The pellet heater must be operated with a power source and will not operate using natural draft. If there is a power failure the heater will shut down. If the 12-volt back-up system is installed, the heater will automatically switch to the 12-volt power.

Route the power supply cord so it does not touch any of the exterior components of the heater.

- a. When exiting through the wall with your Type "L" pellet vent pipe, you may go straight out through a wall thimble. You must connect a pellet vent tee at this point and extend the vent pipe at least 5 feet vertically outside to provide good draft and allow the gases to exit. The tee must have a clean out cap for inspection and regular cleaning (see Figure 6). Whenever the pipe run in any installation is 10 feet or more, the use of 4-inch Type "L" vent pipe is required. Horizontal runs must be limited to 2 feet. A wall band is required for every 4 feet minimum on a vertical run at an exterior wall.

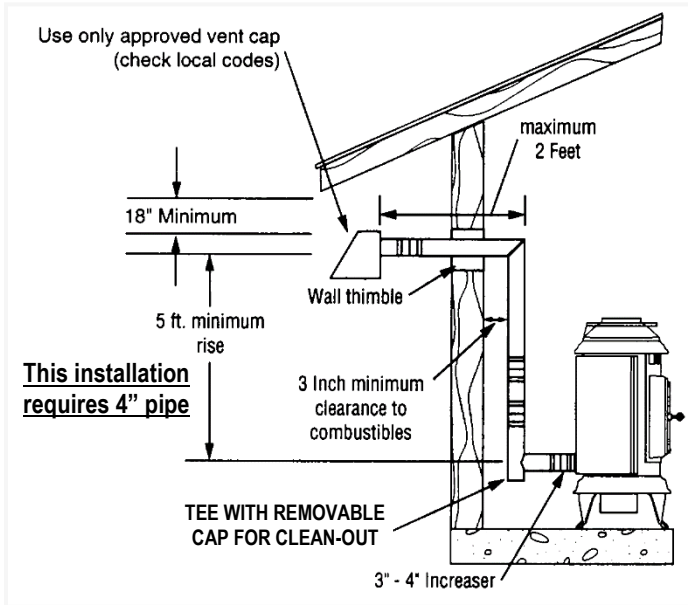


FIGURE 9

- b. All pellet vent pipe connections including exit at the rear of the heater should be sealed with high temperature silicone (450 degrees) or metallic duct tape. This prevents smoke and soot leakage into the living area. If this is not done, there is a possibility that the room fan will pick up any leakage and blow it into the room. This requirement is waived if the new Dura Vent Pellet Pro pipe is used.
- c. Installation per Figure 9 requires 4" pellet pipe.

WALL & REMOTE THERMOSTAT INSTALLATION FOR PARLOUR E.I.

A wall or remote thermostat can be hooked to run the Parlour 3000 E.I. automatically. The following is a step-by-step procedure for installing the optional thermostat. Note connection terminals on the bottom right side of the unit (see Figure 10). Use 18/2 thermostat wire for installation.

1. Unplug heater from the wall outlet!
2. Hook up the thermostat wires to terminals (see Figure 10). Remember to remove copper shunt. disconnected. If a remote thermostat is used you will have to mount the "receiver" to the bottom of the stove with Velcro and then hook up receiver wires to the terminal (see Figure 10). Follow thermostat manufacturer's instructions.
3. Locate thermostat approximately 10 to 12 feet from heater or in an area that requires steady temperature. Run thermostat wires from heater to thermostat along wall or under carpet, etc., and hook wires to thermostat terminals. For the remote find a central location that will maintain room temperature and leave remote in that area.
4. Make sure all wiring is complete before plugging the Parlour back into the wall outlet.
5. You have the option to have the thermostat run the stove either ON/OFF or Hi/Low. Factory setting is ON/OFF. By changing the Type setting jumper on the circuit board (see **Error! Reference source not found.**), you can switch to the Hi/Low mode. This should be done in extremely cold climates so the house will maintain an even temperature and not be cycling on/off constantly.
6. Please be aware that the life of the igniter is affected by the ash build up in the fire pot and the number of times the stove is cycling on/off. If more than four or five times a day, then you should switch to the Hi/Low mode. Check fire pot frequently for ash build up.

IMPORTANT: Any electrical work performed on the Parlour should be done by qualified personnel. **Always plug AC cord in before DC battery.**

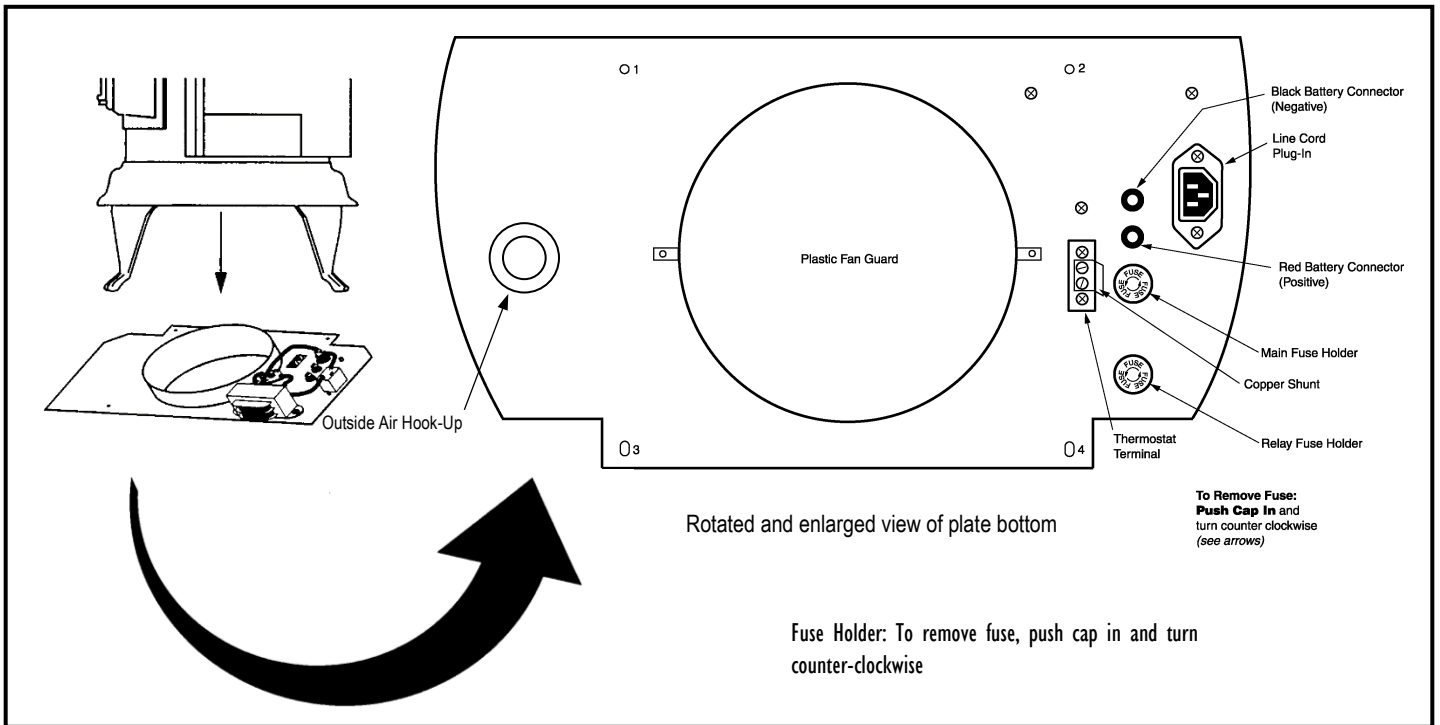


FIGURE 10

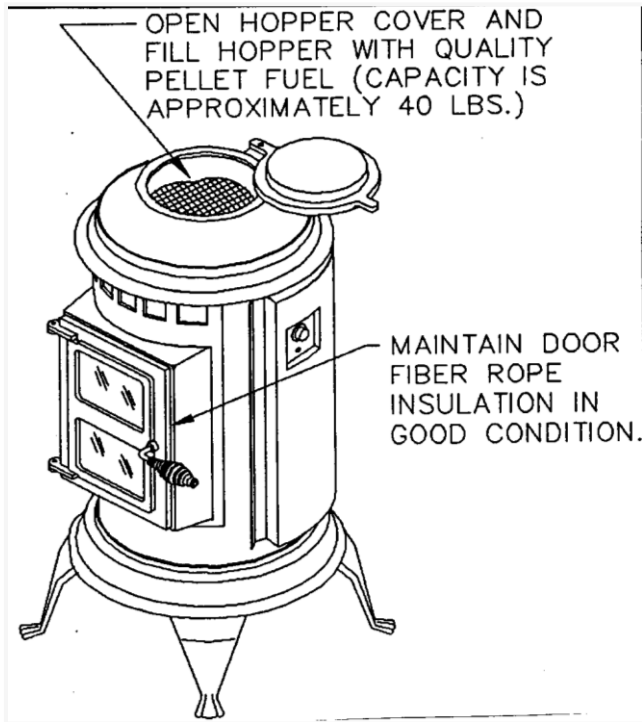


FIGURE 11

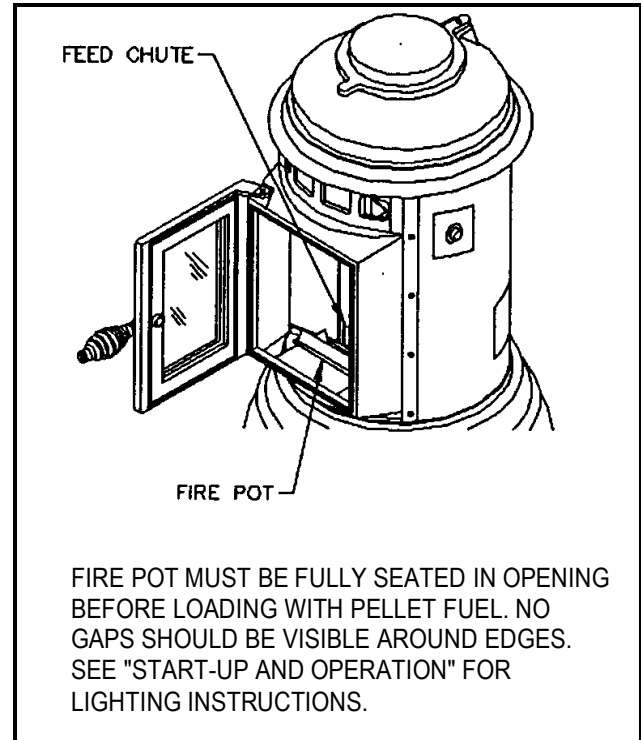


FIGURE 12

START-UP AND OPERATION

A. Filling the Hopper and Start-Up

CAUTION: Fuel hopper lid must be closed before operating the unit. **DO NOT OVERFILL THE HOPPER!** The Parlour will hold approximately 40 pounds of pellets.

Open the top cover and fill the hopper with pellets (see Figure 11).

Use good-quality pellets that give you a vibrant, yellow flame with little or no soot. Poor quality pellets will burn rich with black sooty smoke and ash will accumulate quickly.

IMPORTANT: The quality of pellet varies from brand to brand. This will affect the efficiency of your heater. We suggest that you try several brands until you find one that provides a clean, efficient burn.

IMPORTANT: The fire pot must be seated flush and must sit even in the fire pot tray. Air leakage around the fire pot will create a poor burn (see Figure

12). In case of power outage with battery connected, light the pellets in the fire pot using any approved jelled alcohol lighting fluid.

B. Lighting Instructions

The Parlour E.I. has automatic ignition. As a result you simply plug in the stove, fill with pellets and push the low, medium or high button on the control panel. When the button is pushed to low, medium or high the igniter will come on and the feed motor will activate and begin feeding pellets. In three or four minutes you should see flame and in six minutes the igniter will shut off. The LED next to the button will blink during the seven-minute start-up period. During the start-up period the heater will only run on “Low.” If the fire does not reach operating temperature during the start up period the stove will shut down and you will have to repeat the process.

NOTE: Pellets do not feed in the “Fan” position.

If you choose to use a wall or remote thermostat follow the thermostat manufacturers instructions carefully and make sure you use the built in

thermostat terminals on the bottom of the stove. (See Figure 10) We recommend you run the heater on "High" for about 30 minutes to get the heat exchanger hot before turning it to "Low." You will need to burn the heater for a few hours before deciding which setting is best for your particular needs.

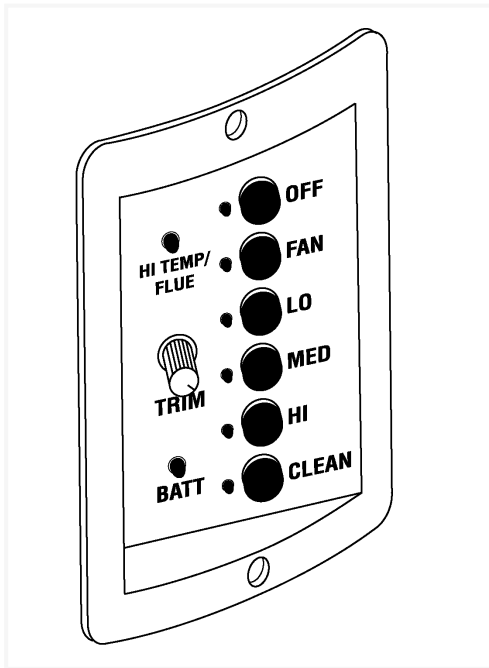


FIGURE 13

C. Control Functions

The control functions on the ParLOUR are as follows: OFF, FAN, LOW, MED, HIGH, and CLEAN (see Figure 13).

1. Fan Position: In the "Fan" only position the stove will not feed pellets. Use the fan if you need to start the stove manually during power failure and/or you are using the 12V battery back up. The "Fan" position can also be used if pellets pile up and you want them to burn down before feeding more pellets. Remember, if you run in the "Fan" only position, the stove will go through the start-up cycle again when you push "Low," "Med" or "Hi."
2. In the "Low" position, the ParLOUR will feed approximately 1 to 1.5 pounds of pellets per hour.

The flame will fluctuate between 1 inch and 6 inches in height.

3. In the "Med" position, the ParLOUR will feed approximately 3 pounds of pellets per hour. The flame will fluctuate from 3 to 8 inches in height.
4. In the "High" position, the ParLOUR will feed approximately 5 pounds of pellets per hour. The flame will fluctuate between 3 inches and a full flame. The fan speed will increase accordingly as the heater automatically adjusts itself based on the temperature inside the heater.
5. The "Clean" position is to be used only when the heater is not burning and you wish to clean out the combustion housing and fan blades. See the "Hopper Clean Out" section under "Maintenance Procedures."
6. After the heater is running for several hours and you wish to turn it off, simply push the button to "Off." If you use a remote or wall thermostat it will turn off the stove automatically when the desired room temperature is reached. **The heater will continue to run until it cools down and it will then automatically shut down at 58 degrees F.** or in 25 minutes, whichever comes first.
7. **REMEMBER:** Each feed position will fluctuate because the microprocessor automatically adjusts the feed and air based on temperature. This means the pellet feed rate and flame height will change accordingly based on quality of pellet and heat loss of dwelling.

DO NOT OVERFIRE. If pellets pile up excessively and stove is not burning properly it should be shut down and thoroughly cleaned. Use the "Trim" button to adjust feed rate.

HIGH TEMP/FLUE AND TRIM INDICATORS

High Temp/Flue: There is a small window to the left of the fan button that will blink red if the flue pipe

becomes obstructed or there is a high wind condition, creating a back draft. If there is problem with the fan guard becoming blocked due to dust and lint build up then this light will come on and stay steady red. The feed will shut off and the stove will shut down when these two conditions are present. Maintenance is required and thorough cleaning and pipe check must be performed if these conditions persist.

Battery Light: When the green light is blinking the battery is charging. When the green light is steady the battery is fully charged. If this light is red, then the battery terminals are plugged in backward.

Trim Button: On the left side of the control panel there is a small, round button that will turn clockwise and counter-clockwise. This button allows you to control the feed rate in each setting—Low, Med, and High. By turning the button clockwise you can increase the feed rate in each setting. By turning the button counter-clockwise you can decrease the feed rate.

Move this button carefully! It is designed to fine-tune the heater in each position in the event you change brands of pellets and/or live at a higher elevation.

BATTERY OPERATION

Always plug AC cord in before DC battery.

1. The battery must be one foot from the stove to ensure that the terminal does not touch the bottom ring.
 2. The Parlour Pellet 12V back-up can be purchased as an option and includes the following components:
 - a. Deep cycle sealed 12-volt gel cell battery (available at most battery stores)
 - b. Battery connector cables for hook-up to the heater (available from Thelin)
 3. To hook up the battery and engage the 12-volt back-up system, do the following:
 - a. Connect the red battery cable to the (+) positive terminal on the battery. Then plug the red banana plug into the red receptacle on the stove. **The red must be plugged in first before the black.**
 - b. Connect the black battery cable to the (-) negative terminal on the battery. Then plug the black banana plug into the black receptacle on the stove. If you hook up the cables correctly the LED light on the control panel come on and glow green. If hooked up improperly, this LED will glow.
- WARNING: Make sure the red cable goes to the red terminal (positive connector) and the black cable goes to the black terminal (negative connector).**
4. If you decide to purchase your own 12-volt back-up system, we recommend a sealed gel cell battery. **Failure to install the proper battery could cause physical harm to you and/or your property and will also void the heater warranty.**
 5. When the battery is properly connected and the heater plugged in, the following will happen automatically:
 - a. The heater will automatically switch to 12-volt power if there is a power failure and switch back when power is restored.
 - b. The battery will be trickle charged as long as the heater is plugged into 110 AC wall outlet. **Do not use extension cords.** The trickle charge will not recharge a low or dead battery, but will keep a charged battery at maximum performance. **Do not unplug stove for the summer and keep battery attached. Battery will drain down and fail to recharge.**
 6. If you choose to separate the battery from the heater by lengthening the cables, you must make sure the cable used will carry the current to the heater. For example, if the distance is 10 to 20

feet, then 12-gauge wire must be used. Check with your local electrical professional to make sure you have used the proper gauge wire/cable.

7. The automatic ignition feature will not work on DC power only. The stove can be lit manually with an approved starter material. Call Thelin if you need help with manual lighting.

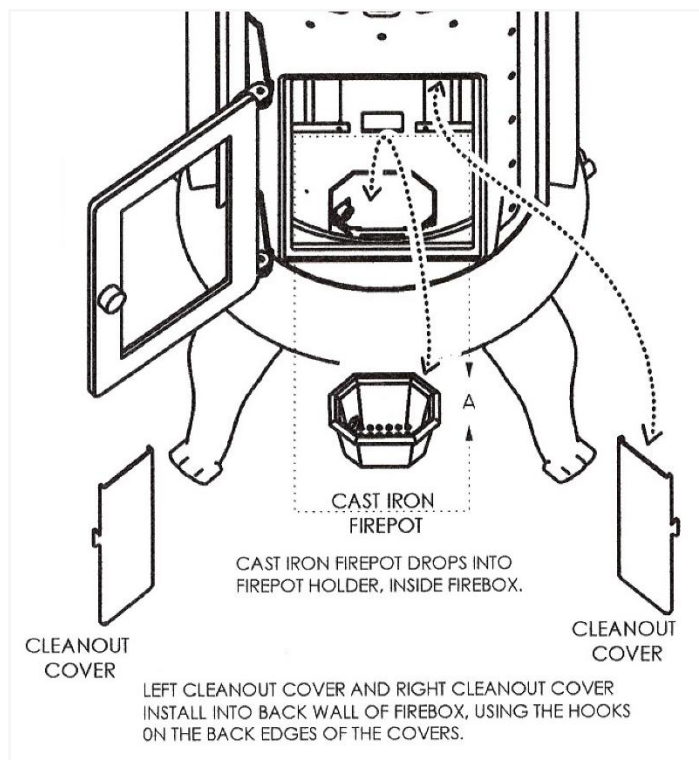


FIGURE 14

MAINTENANCE PROCEDURES

CAUTION: Moving parts may cause injury. DO NOT operate with rear cover removed.

WARNING: Risk of electrical shock. Disconnect all power before servicing.

Always turn your heater off and let it cool before cleaning.

Your Parlour Pellet Heater requires routine maintenance for maximum performance, and it is mandatory for the warranty to remain in effect.

The following procedures should be studied carefully and performed regularly as indicated.

- a. **Soot and Fly Ash: Formation and Removal.** The products of combustion will contain small particles of fly ash. The fly ash will collect in the exhaust venting system and restrict the flow of the flue gases. Incomplete combustion, such as that which occurs during start-up, shut down, or incorrect operation of the room heater will lead to some soot formation which will collect in the exhaust venting system. The exhaust venting system should be inspected at least once a year or immediately following the heating season to determine if cleaning is necessary.
- b. When the heater is shut down and cold, you should open door and remove clean out cover. To remove, simply lift up and out from retaining notched cutout on vertical wall (see Figure 14). Clean one side at a time. With one cover removed, leave the door open 1" and push the "Clean" button. Let heater run 30 seconds, push to "Off," and replace cover. Remove the remaining clean out cover and repeat procedure for other side.

Disposal of Ashes: Ashes should be placed in a metal container with a tight-fitting lid. The closed container of ashes should be placed on a non-combustible floor or ground, well away from all combustible materials pending final disposal. If the ashes are disposed of by burial in soil or otherwise locally dispersed, they should be retained in the closed container until all cinders have thoroughly cooled.

- c. Vacuum inside stove ash pockets on both sides of fire pot.

- d. Remove fire pot by lifting up and out. It may be brushed out or vacuumed. Fire pot should be cleaned regularly. Make sure slots in pot are not plugged. The area around and below the pot should be checked every five or six days depending on how many hours a day you are burning your heater and the quality of the pellets being burned. After a few days you will be able to determine the frequency required for cleaning. Scrape pellet feed chute with putty knife to remove hardened material on which sawdust can accumulate.
 - e. Scrape pellet feed chute with putty knife to remove hardened material on which sawdust can accumulate.
 - f. The tee connector on the vent pipe must have a clean out cap and this must be checked every four to six weeks or whenever you utilize the "Clean" mode on the control dial.
 - g. Fly ash can also accumulate in the vent pipe. Inspect the exhaust system frequently to maintain free flow of exhaust fumes. This depends entirely on the quality of the pellets, so you will initially monitor the buildup in the vent pipe. Those installations going into an existing flue must be installed with a tee connector to allow access to clean the ash from the pellet vent pipe.
1. **Hopper Clean Out:** Vacuum the accumulated saw dust in the hopper weekly. Keep free of debris and foreign material. An accumulation of saw dust can cause irregular pellet feed. For best results this should be done on a regular basis depending on how often the heater is used. If you burn the heater all of the time, you should do this every eight to ten days.
 2. **Cleaning the Exhaust Fan Blade & Heat Exchanger:** The exhaust blower should be checked for excessive fly ash buildup. Regular and routine maintenance utilizing the clean out feature will keep the exhaust blower housing and fan blades clean. This cleaning can only be done when the heater is not burning. For best results, run the fan in the "Clean" position with the door open for approximately 45 seconds or until ash is no longer being picked up by the fan. Remember, you must always check the clean out cap on the tee after utilizing the clean feature (see Figure 14).

(See Figure 19 for routine stove clean out and maintenance.)
 3. **Cleaning the Fan Guard:** The plastic fan guard on the bottom of the stove must be kept free of lint and dust. Check weekly for lint build-up and vacuum as necessary.
 4. **Keeping the Glass Clean:** If soot deposits accumulate on the glass, clean with window glass cleaner and a paper towel when the glass is cold.
 5. **Polishing the Gold and Chrome:** All gold and chrome plating used on the Parlour can be cleaned with a soft cloth and non-abrasive cleaner.
 6. **Cleaning and Polishing Gold-Plated Parts:** Gold is a soft metal and, therefore, a fragile surface. It will not discolor from heat, but it can easily be scratched. Prior to the first burn it is important to use Kel Kem Spray Gold Cleaner or Flitz Faucet & Fixture Wax and a soft clean cloth to wipe any fingerprints off all gold surfaces or the heat will cause the oil in the fingerprint to remain in the surface permanently. Always clean the gold surface when the heater is cool!
 7. **Check door and window gaskets** for tight seal. Door gasket should contact completely around perimeter. Replacement gaskets are available from your dealer or Thelin Hearth.
- This Parlour Pellet Heater has been safety tested by Warnock Hersey Test Labs in Middleton, Wisconsin.*

TROUBLESHOOTING

The following scenarios are provided in order to help you locate a difficulty if the heater performs in a manner which would seem to indicate a malfunction:

1. **Problem:** I loaded the heater for start-up, lit the fire starter and pellets, but the fire did not light.

Solution: Check power cord to see that it is plugged in tightly to the bottom of the stove. Is the LED light blinking when you push the Low, Medium, or High button? If not, check the fuse for the Igniter located on the bottom of the stove in the red fuse holder. Remember that the timer on start-up runs about six minutes and if the pellets have not lit, then you may have to repeat the start-up sequence. Also, the stove only runs on one speed until a temperature is reached that activates the run mode. This usually takes 15 to 20 minutes, and in extremely cold climates, you might have to repeat the start-up procedure for the stove to reach this temperature.

2. **Problem:** The heater was lit and burning properly, then suddenly it stopped feeding pellets.

Solution: Check pellet supply in hopper. If empty, fill and follow start-up procedure. Occasionally, a foreign object, debris, or an excessive amount of sawdust can enter the feed mechanism and jam the feed chute. If this happens, you must empty the hopper and check the feed chute to see what is causing the jam. Remove any foreign material or object and restart the heater. **CAUTION:** Keep fingers and hands clear of the feed mechanism when heater is on.

3. **Problem:** The fire was burning well and then it began to overfeed pellets and started backing up into the pellet feed chute, smothering the fire.

Solution: When the pellets are overfeeding, it usually means that the air flow has been reduced. Check the fire pot air intake holes to be sure they are clear. Check to see if fire pot was properly seated in the pot tray. If you use a low-grade

pellet and clinkers (fused ash and dirt) form in the bottom of the fire pot and chock the air intake, you might consider changing the brand of pellets to one that burns cleaner. You must let the fire go out before removing and cleaning the fire pot. Never vacuum out the heater when the heater is in operation! The hot ashes can lodge in your vacuum cleaner and cause a fire! You must clean the heat exchanger manifold (see Figure 14) regularly to ensure a good air to fuel ration, thus allowing the heater to "breathe" properly. You must also check the tee and vent pipe to see that they are not clogged and full of ash.

4. **Problem:** The heater was burning well and then soot began forming on the door glass.

Solution: Black soot forming on the door glass means that the combustion is not right and the heater needs a good clean out. Some brands of pellets burn much richer than others and you might have to change brands of pellets and/or have the air/fuel settings readjusted by your dealer. It is normal to have the glass cloud up after several hours of burning, but it should wipe off with a good window cleaner. If the glass turns black quickly, then the heater needs a good clean out.

5. **Problem:** We had a power failure and the heater emitted smoke for about five minutes.

Solution: If the heater emits smoke during a power failure and you have frequent power failures, then we suggest you purchase the battery back-up system. If the vent pipe is installed according to these instructions, the smoke will siphon out of the pipe in most instances.

6. **Problem:** After several weeks of outstanding performance, the heater suddenly stopped and the red light under the control panel came on. This light is the High Temp/Flue indicator light.

Solution: The High Temp/Flue indicator light indicates that fly ash has built up in the exhaust system and/or there is a restriction in the

exhaust/flue system. Check the pipe system for excessive ash and clogging, particularly the vent cap. Remove the clean out cap on the tee and make sure that ash has not blocked the exhaust air flow. This automatic shut down in case of flue clogging is a safety feature, and if the shut down occurs it means you have a problem and should consult a service technician and/or clean your pipe and heater thoroughly. If you feel the fly ash build-up is excessive, we suggest you try another pellet brand. In most climates the pellets and fly ash can absorb moisture from the air and create creosote and a severe clogging problem. Keep this in mind when you store and handle your pellets. The heater warranty does not cover the quality of the fuels used or the way they may be handled, either before or after you've purchased them.

7. **Problem:** I turned off the switch and the heater continued running.

Solution: This is normal. The exhaust blower will keep running until it cools down and then it will automatically turn off. This can vary by the

temperature the exhaust has reached and the temperature of the cooling air.

8. **Problem:** Fan motor speed varies, sometimes running low and sometimes surging. Will run on "High" or "Clean" but not on "Low."

Solution: Fan motor brushes are wearing out. Brushes in fan motor need to be replaced. Contact your dealer or call factory for replacement brushes.

9. **Problem:** Stove shuts off at night when running on low.

Solution: Feed is too low. Adjust feed trim button (turn clockwise) until feed can maintain fire.

10. **Problem:** I see a flashing green light behind the outer shield. What does this mean?

Solution: The flashing green light behind the outer shield means the circuit board is energized. This is okay. "Green means go." All systems are ready and operational.

FIGURE 15 – REPLACEMENT PARTS LIST 16

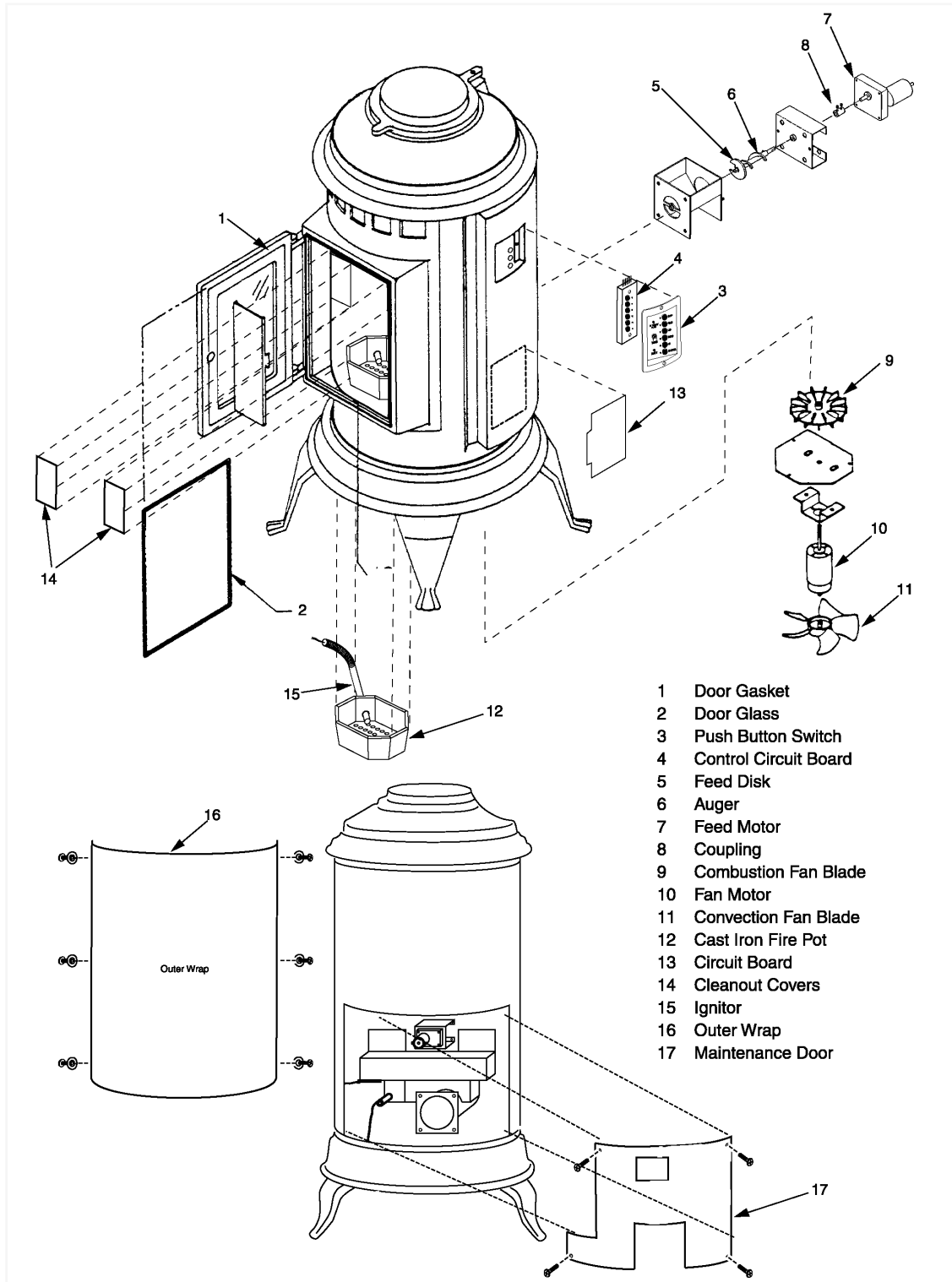


FIGURE 17 - CIRCUIT BOARD DIAGRAM

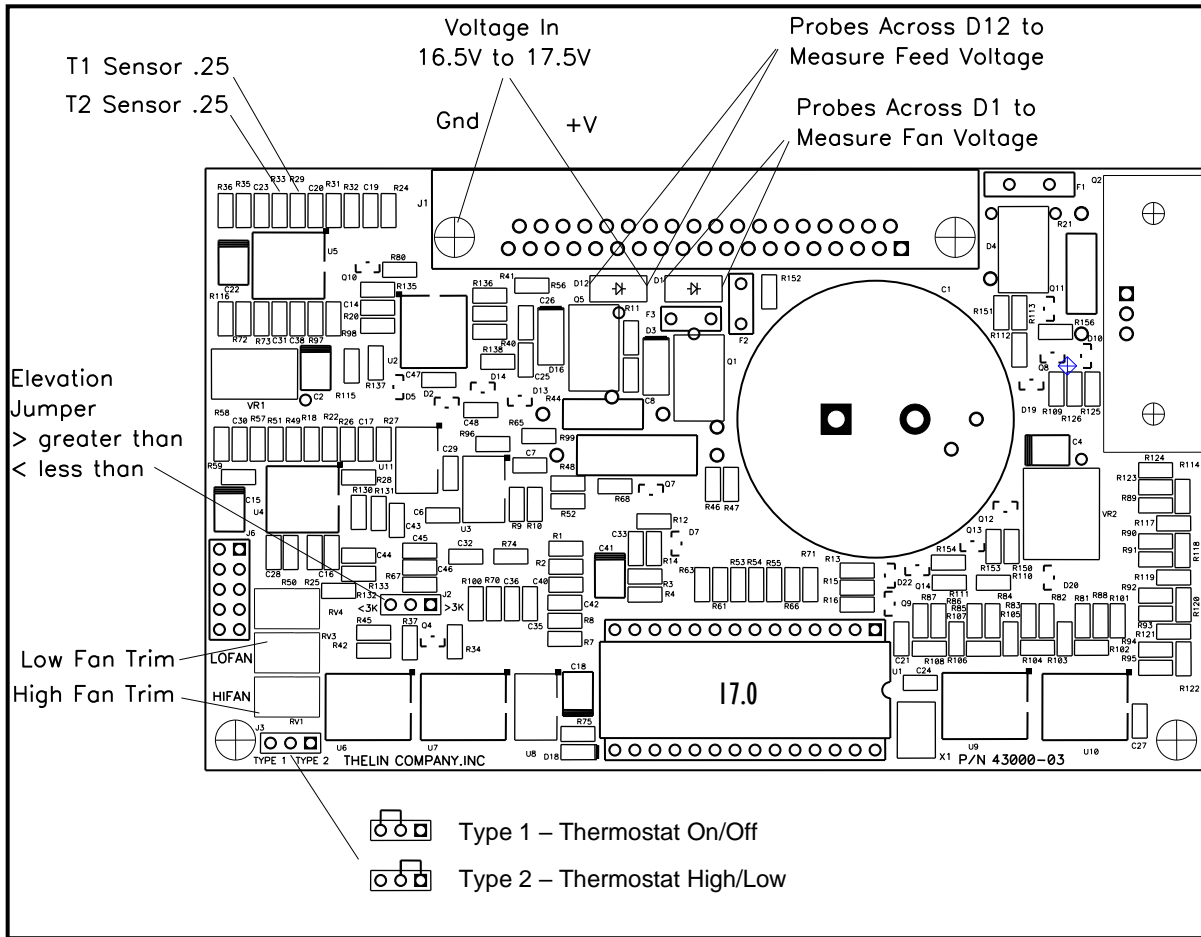


FIGURE 18 - ELECTRICAL SCHEMATIC/WIRING DIAGRAM

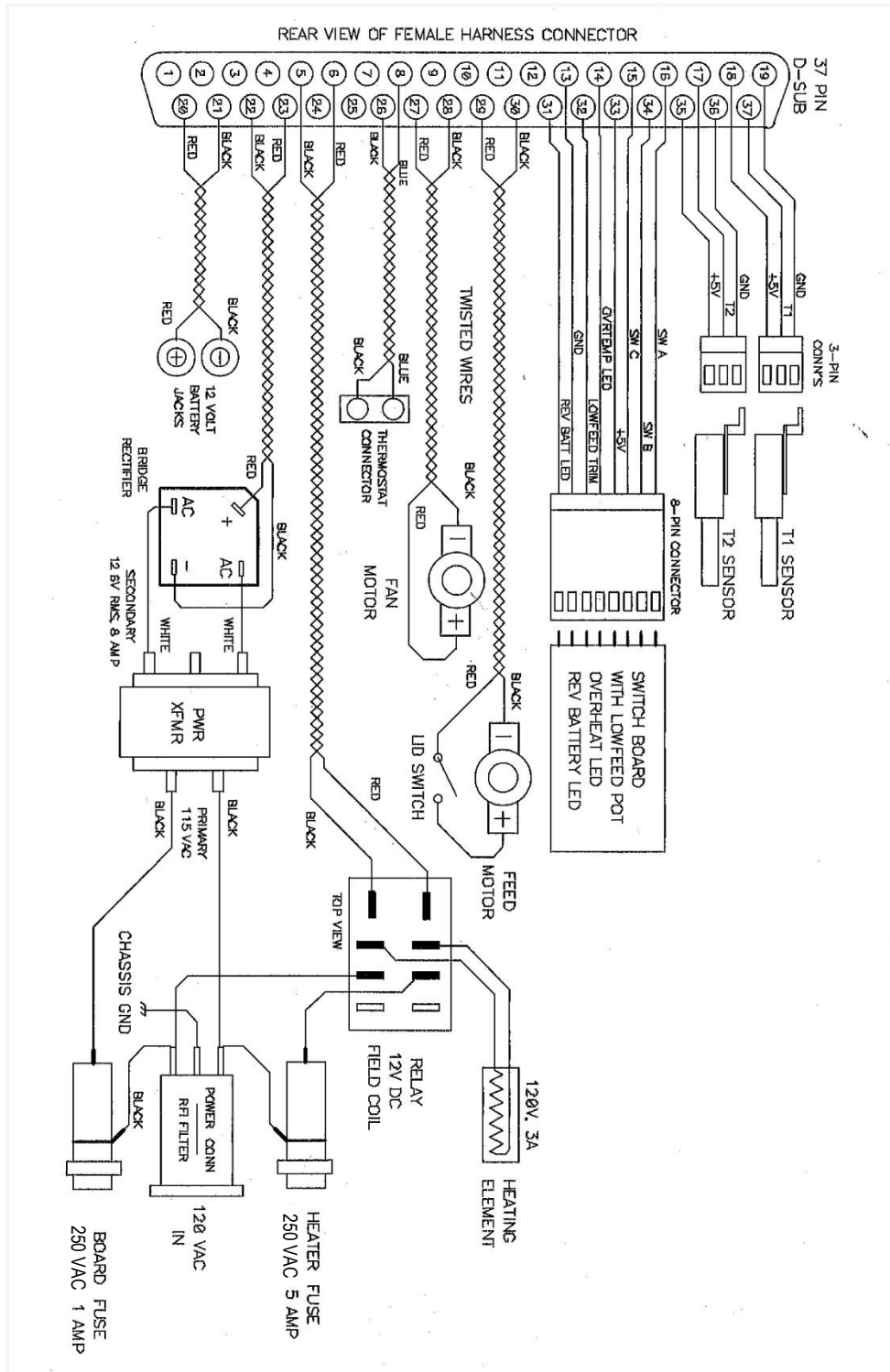
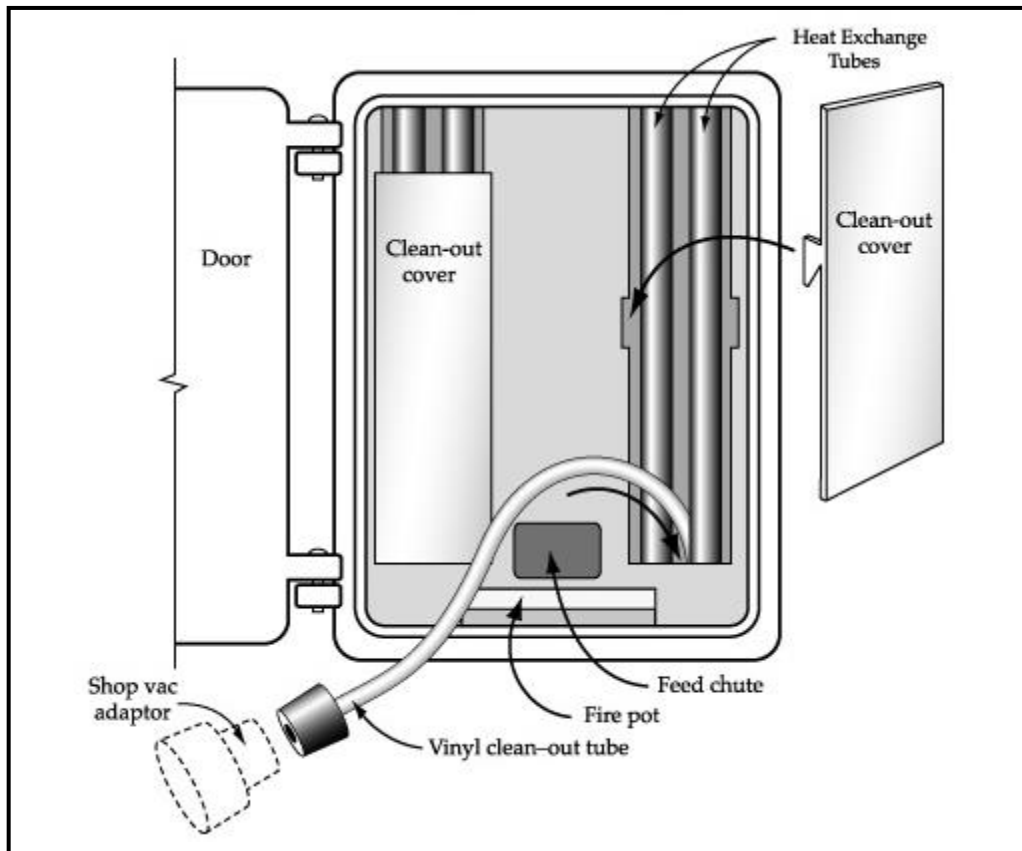
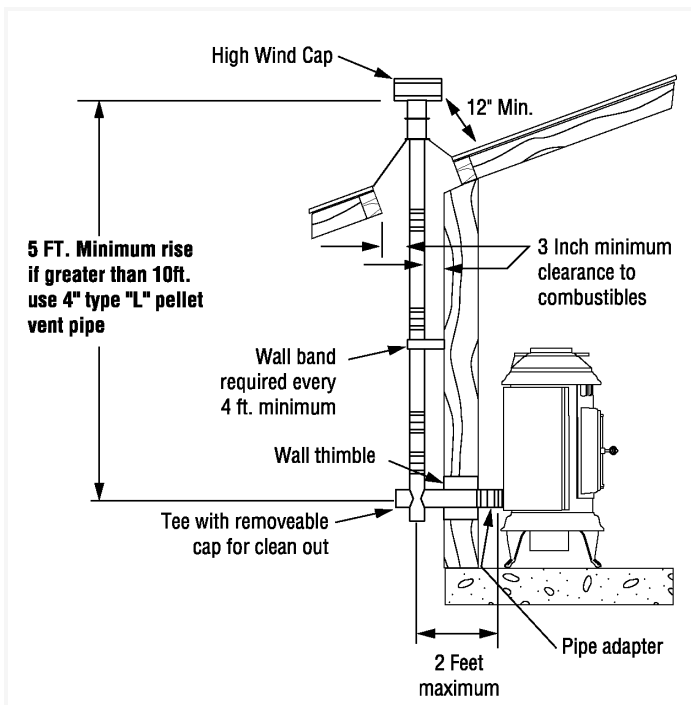


FIGURE 19 – ROUTINE STOVE CLEAN OUT AND MAINTENANCE

The following is a step-by-step procedure to clean out and maintain your pellet stove.

1. **Stove must be shut off and completely cold before performing this maintenance.**
2. Open door; remove fire pot and clean-out covers.
3. Vacuum entire inside area, including heat exchanger tubes, using a pellet vac or shop vac. **Do not use a household vacuum cleaner!**
4. Connect vinyl clean-out tube to pellet vac or shop vac. (An adaptor must be used to connect to a shop vac. These can be purchased at hardware stores or home centers.) Insert the clean-out tube down between the heat exchanger tubes (approx. 4" to 6") as shown in the picture, and vacuum up the debris. Reposition the tube several times to get as much debris as possible. Repeat the procedure at the other set of tubes. **Remove vinyl clean-out tube.**
5. Turn control knob to "clean" position for about 45 seconds.
6. Replace clean-out covers and fire pot. The stove is now ready to use.

APPENDIX A – WIND WARNING



Additional Venting Problems

Occasionally, the vent configuration can create a noisy, harmonic condition that will make a noise similar to the one made by blowing over a bullet shell or beer bottle. This sound can be eliminated by closing the air damper located on the bottom front of the stove under the bottom ring.

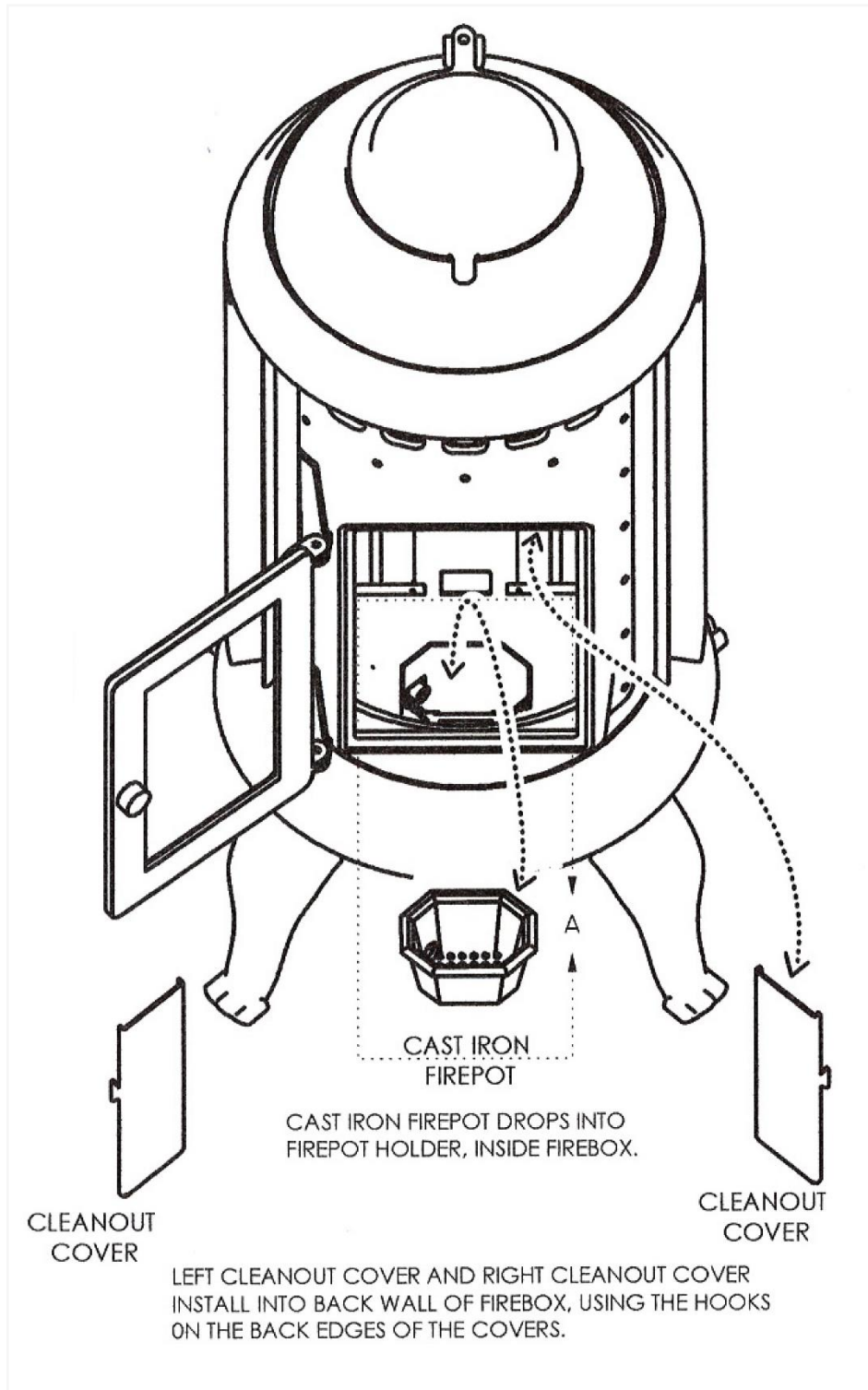
Your Thelin Pellet Stove is equipped with a blocked flue/high temp safety sensor that will shut the stove off if there is a down draft, blocked flue, or high temperature condition.

If you install the stove on the side of the house that is hit by prevailing winds (usually 30 to 40 mph or greater) there is a chance that the sensor will be activated and the stove will shut off. The solution to this problem is to run the pipe up vertically through the eave and use a high wind cap on the vertical termination (see diagram).

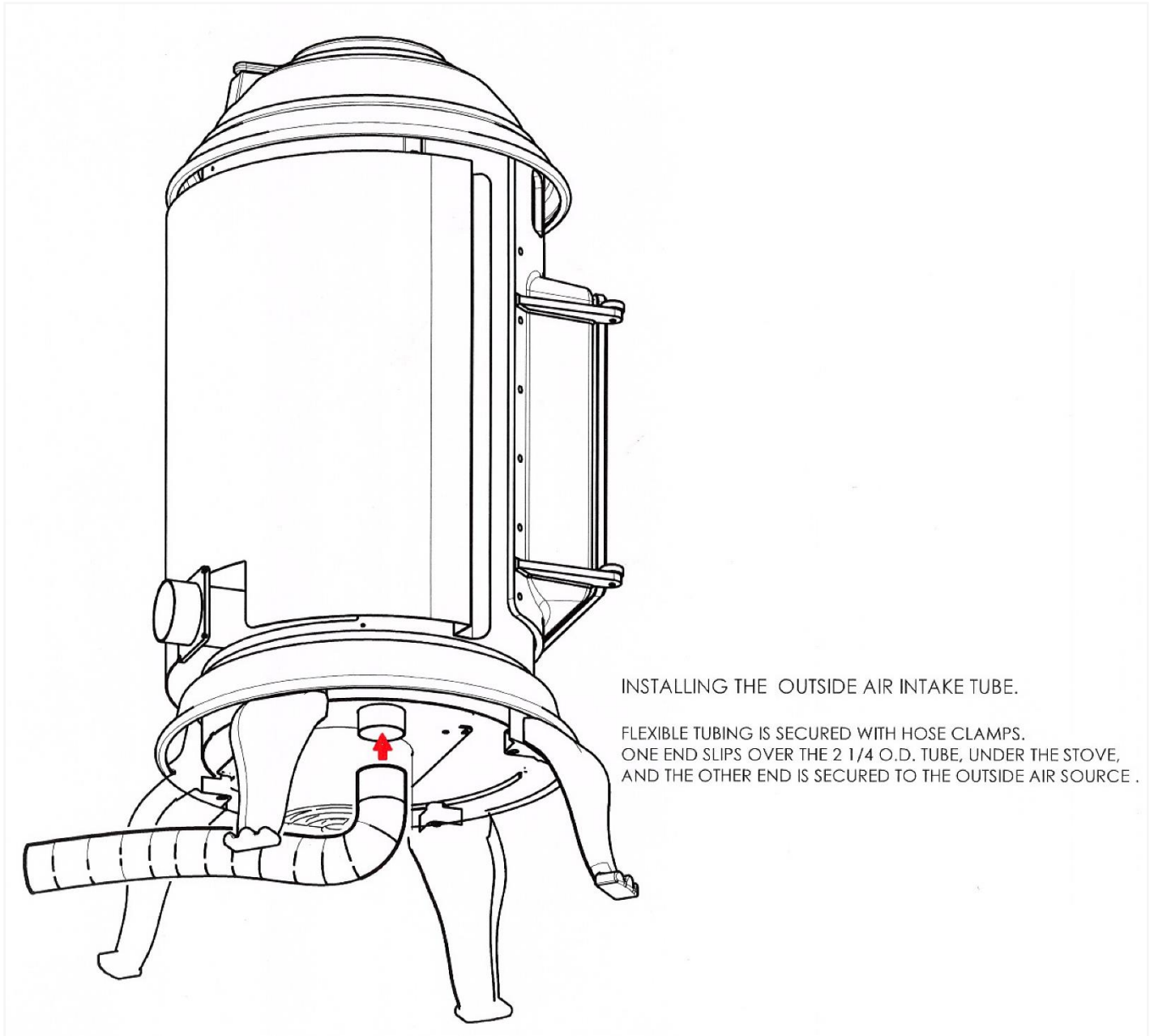
You are welcome to call if you have any questions about this potential problem.

Thelin Hearth Products
(800) 949-5048

APPENDIX B – E.I. FIREPOT ASSEMBLY



APPENDIX B – OUTSIDE AIR HOOK-UP



APPENDIX C – FINE TUNING

Because of the variability of pellets (i.e., length thickness, density, quality of sawdust), you might have to—from time to time—fine tune your heater to compensate for pellet quality. Following are some suggestions for fine tuning.

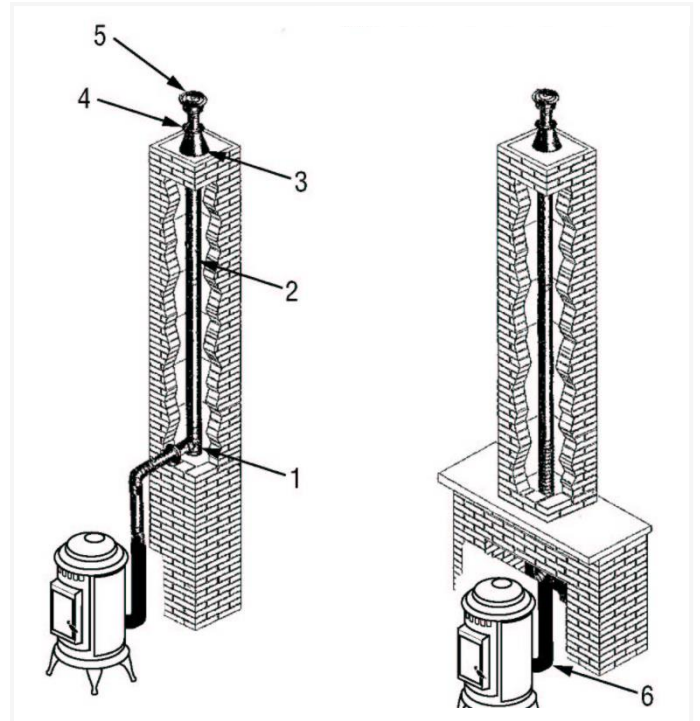
There are three (3) fine-tuning adjustment components:

1. The Trim Button located on the control plate (see Figure 13) will allow you to change the feed rate on each setting (i.e., Hi, Med, Low). By turning the trim button clockwise you can increase the feed rate, and by turning the trim counterclockwise you can decrease the feed rate. For example, if the pellet you are using is a hardwood pellet and longer than 1", then the stove could go out on the low setting for lack of fuel. Turn the trim clockwise to increase fuel and thus sustain the fire.
2. The Fan Trim Pot Adjustment is located on the circuit board (see Figure 17). Please note the two fan trim pots marked on the drawing (lower left hand corner). By using a small slot screwdriver you can adjust fan speeds to compensate for poor pellets or airflow. By turning the trim pots clockwise you can speed up the fan speed on both Hi and Low settings. You will have to experiment with the setting to determine the proper burn. A good, brisk flame that is yellow, not orange, is what indicates a good burn.
3. Outside air hook-up can create combustion problems if the outside air flex tube is longer than 3' (three feet). Increase size of flex tube on runs over 3'. Use 4" flex if you are going up into an existing chimney.

APPENDIX D – CHIMNEY INSTALLATION CRITERIA

CHIMNEY INSTALLATION

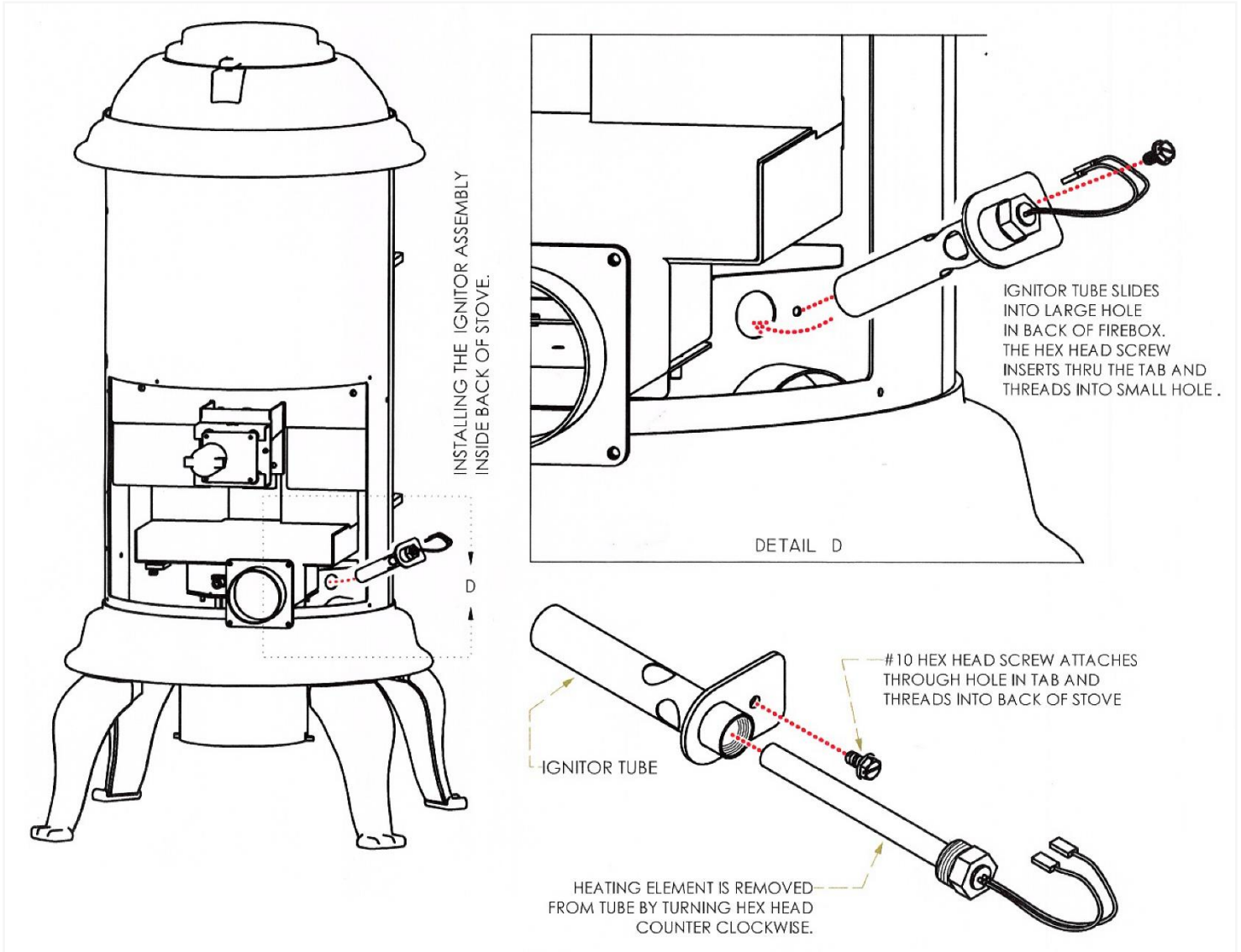
1. A clean out tee is required on both installations (see items 1 and 6 in illustration).
2. Four-inch pellet vent pipe is required on both chimney and fireplace installs (see item 2 in illustration).
3. Top of chimney must be sealed and flashing used (see item 4 in illustration).
4. Install storm collar above flashing to prevent leakage (see item 4 in illustration).
5. Vertical termination cap (type L pellet) must be used on all installations. If wind conditions are present, then utilize a high-wind cap (see item 5 in illustration).



PELLET QUALITY

Vertical installation into old chimneys are susceptible to creosote build up if not done properly. Poor quality pellets or pellets with a high moisture content **can** also create creosote and the risk of a chimney fire. We suggest trying several bags of different pellets to determine which ones will give you a vibrant, hot flame. Avoid pellets that burn rich (smoky, orange flame), and make sure to keep fire pot clean and free of ash build-up.

APPENDIX E – REPLACEMENT OF IGNITER



THELIN HEARTH PRODUCTS PELLET HEATER WARRANTY REPLACEMENT PROGRAM

NOTE: PLEASE READ THIS WARRANTY REPLACEMENT PROGRAM CAREFULLY BEFORE APPLYING FOR WARRANTY REPLACEMENTS OR CREDIT.

WARRANTY COVERAGE

Warranted for five years from the date of retail purchase against defects in workmanship to include heater cabinet and body. Warranted for one year from date of retail purchase to include drive mechanism and electronic components. Solely for the benefit of the original purchaser (retain your dated sales receipt as proof of purchase). **Some Dealers may require you to pay a service call or trip charge for any warranty work.**

COVERED

Replacement of defective parts and labor and product return to consumer.

NOT COVERED

Door glass, plating, paint, and gasket. Damages caused by abuse or failure to perform normal maintenance and any related expense. This warranty shall not apply to any defect, malfunction, or failure to conform with the warranty provisions if caused by damage (not resulting from defect or malfunction) due to unreasonable use by purchaser. Consequential damages, incidental damages, or incidental expenses, including damage to property. Some states do not allow the exclusions or limitation or incidental consequential damages, so the above limitation or exclusion may not apply to you. This warranty gives you specific legal rights that vary from state to state.

WARRANTY WORK

If you find this unit to be defective in material and/or workmanship within a period of five (5) years from the date of purchase, contact your local dealer from whom you purchased the heater. All warranty work must be authorized by the factory in advance of the repair and an authorization number assigned. A warranty claim form must be completed and signed by both the repair person and the customer. For prompt warranty service, please contact the authorized dealer in your area. Have the following information available to assist the repair person.

QUALIFICATION FOR WARRANTY PERFORMANCE

Return product or defective part with proof of purchase and narrative description of defect together with your name and address, freight prepaid to: Thelin Hearth Products, Warranty Division, Carson City, NV 89706. Returned part or product will be repaired or replaced at Thelin Hearth Products' option and will be returned to you freight prepaid as soon as practical, but not later than 30 days after receipt.

HEATER PURCHASE INFORMATION

Date Purchased: _____ Serial Number: _____

Dealer/Retailer where Purchased: _____

Installer/Contractor used for Installation: _____



Theelin Hearth Products, Inc.
63 Laxalt Dr.
Carson City, NV 89706
www.thelinco.com